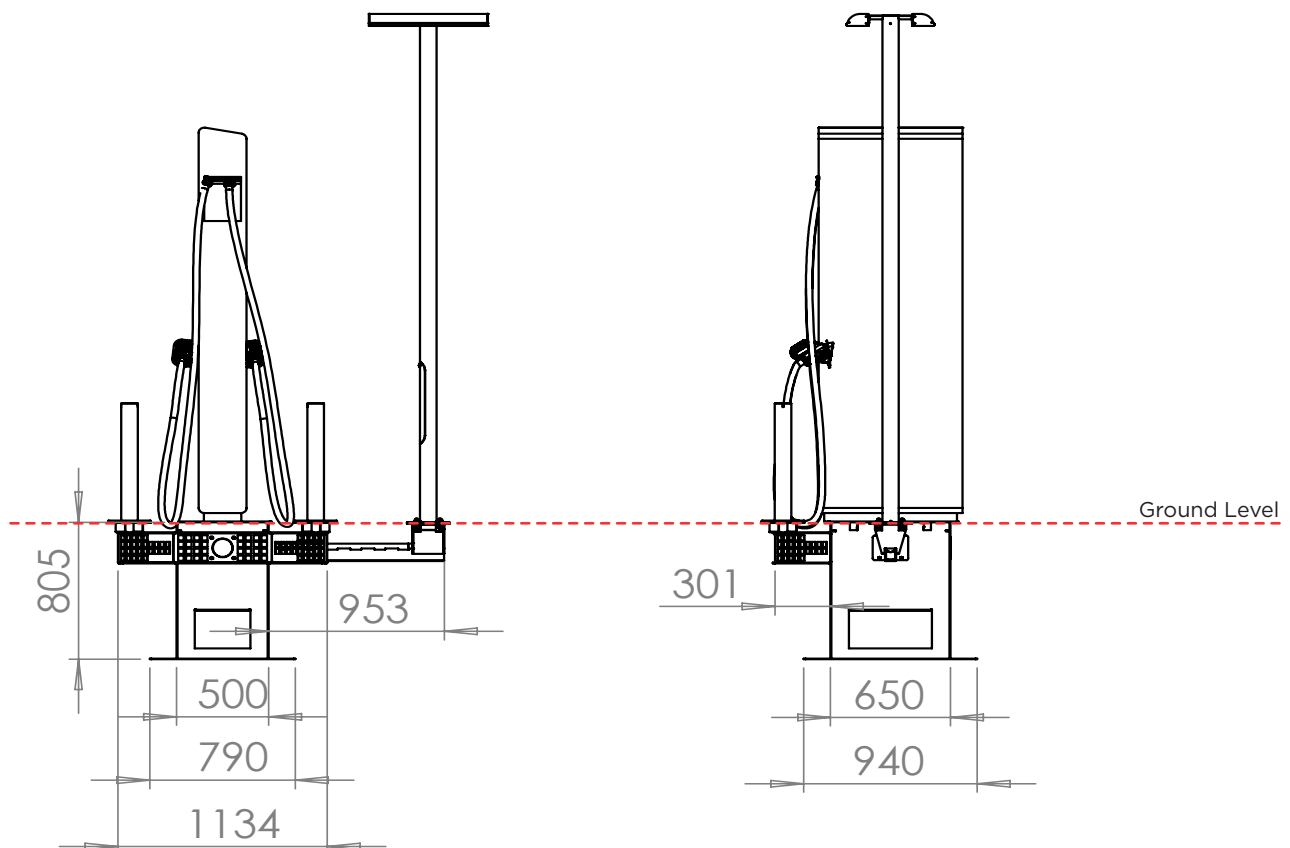
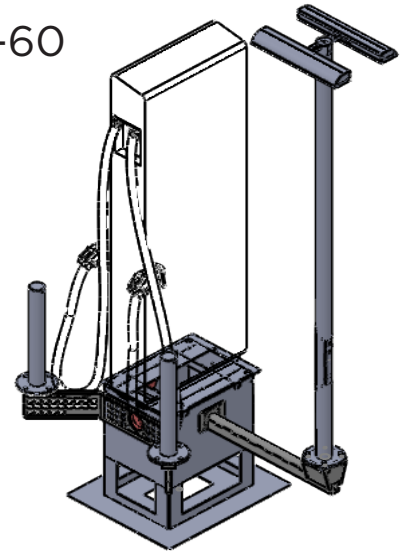


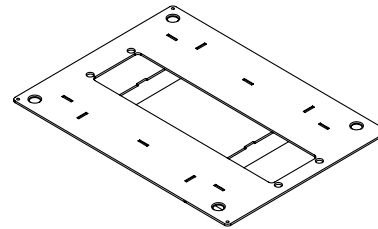
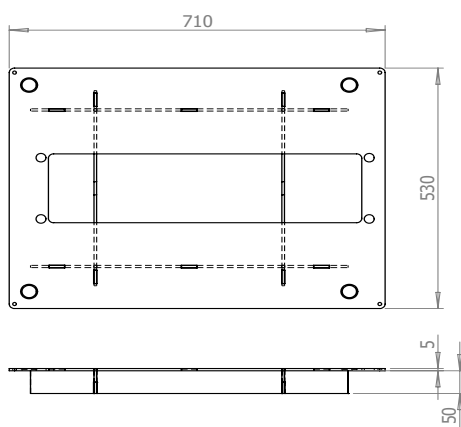
INSTALLATION GUIDE FOR  
**FOUNDATION UNIVERSAL MEDIUM (UM) WITH  
MOUNTING PLATE FOR ALPITRONICS HYC 1000  
DISPENSER**

Art no: 1060-3002-1000-60 & 1060-3004-0400-60



# INSTALLATION GUIDE FOR **FOUNDATION UNIVERSAL MEDIUM (UM) WITH MOUNTING PLATE FOR ALPITRONICS HYC 1000 DISPENSER**

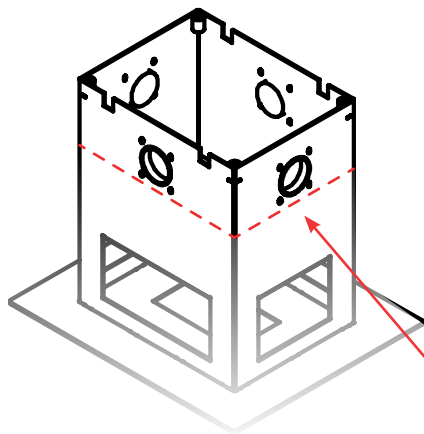
Art no: 1060-3002-1000-60 &amp; 1060-3004-0400-60



	No units	Art. No.	Name
<b>Universal Medium</b>	1	1060-3002-1000-4	Foundation Universal Medium (UM)
	4	31-462570-0	Conical plug 109x113x27
	1	1060-3000-1210-7	Bolt kit for Universal Medium
<b>Mounting-plate</b>	1	1060-3004-0400-4	Monteringsplatta UM HYC 1000 MCS Dispenser

# INSTALLATION GUIDE FOR FOUNDATION UNIVERSAL MEDIUM (UM) WITH MOUNTING PLATE FOR ALPITRONICS HYC 1000 DISPENSER

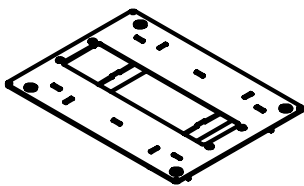
Art no: 1060-3002-1000-60 & 1060-3004-0400-60



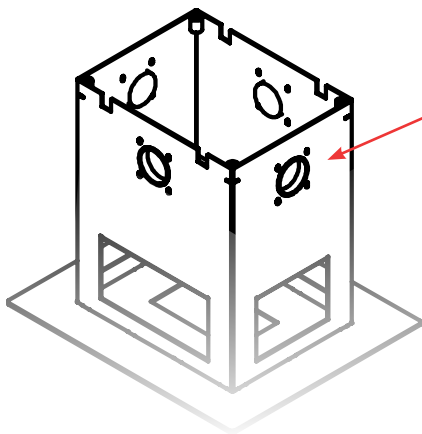
1. Place the foundation on the ground bed.  
Check that the correct side (in this case short side) is facing the parking space.

2. Prepare the required empty conduits/cables.

3. Backfill and compact according to the applicable local standard (e.g. AMA in Sweden) up to the round hole.



4. Position the plate on the base and secure it with the screws. The screw must be aligned centrally within the hole (at this moment it is easier if you can use the round holes in the sides)



5. Secure the screws in a diagonal pattern to ensure an even distribution of load.

6. Secure using a torque wrench, 85-90 Nm.

INSTALLATION GUIDE FOR

# FOUNDATION UNIVERSAL MEDIUM (UM) WITH MOUNTING PLATE FOR ALPITRONICS HYC 1000 DISPENSER

Art no: 1060-3002-1000-60 & 1060-3004-0400-60

