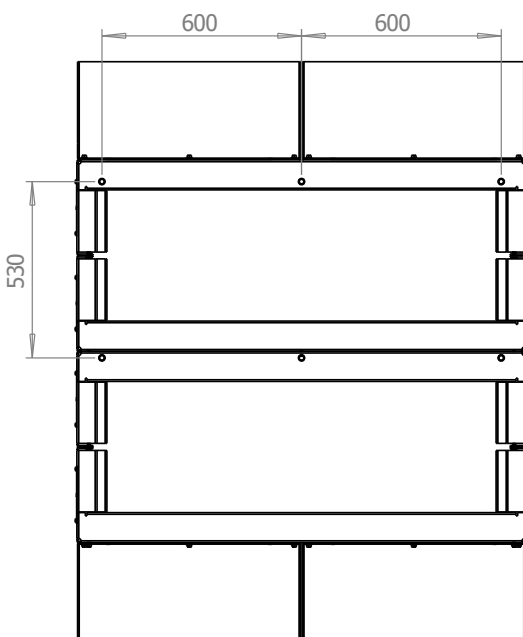
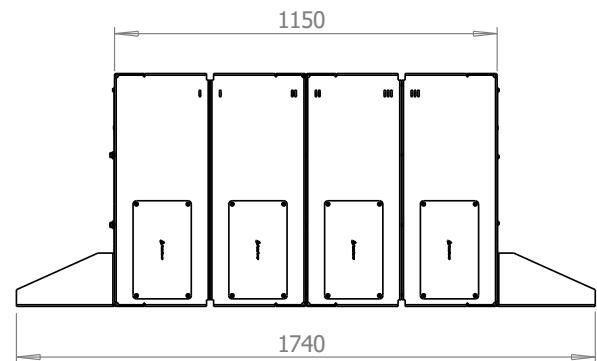
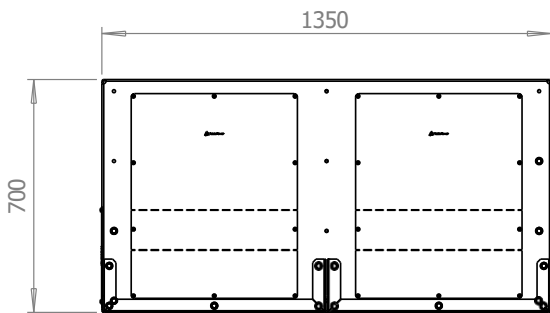
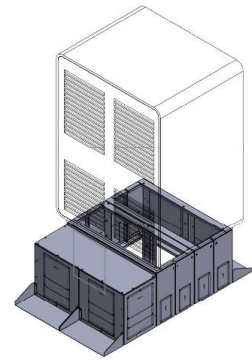


INSTALLATION GUIDE

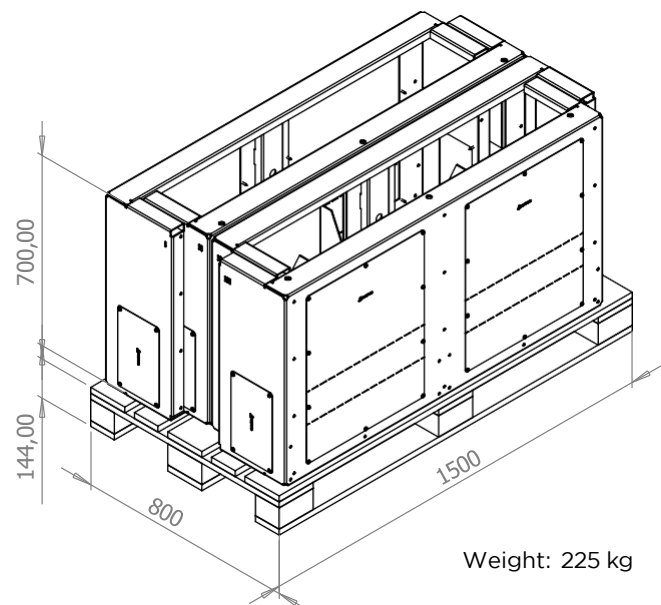
**FOUNDATION ALPITRONIC HYC1000
POWER CABINET WITH INSPECTION HATCH**

1060-4700-1000-60 - Power Cabinet

1060-4700-1200-70 - Inspection hatch



Front of cabinet



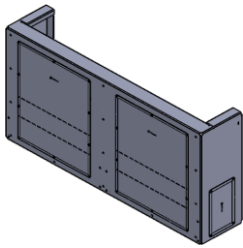
Weight: 225 kg

INSTALLATION GUIDE

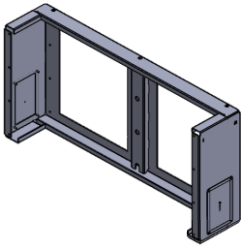
FOUNDATION ALPITRONIC HYC1000 POWER CABINET WITH INSPECTION HATCH

1060-4700-1000-60 - Power Cabinet

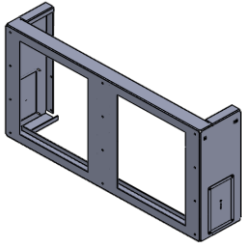
1060-4700-1200-70 - Inpection hatch



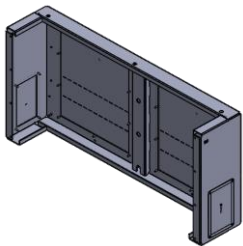
1060-4700-0010-6 - GABLE POS. 1



1060-4700-0011-6 - GABLE POS. 2



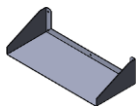
1060-4700-0012-6 - GABLE POS. 3



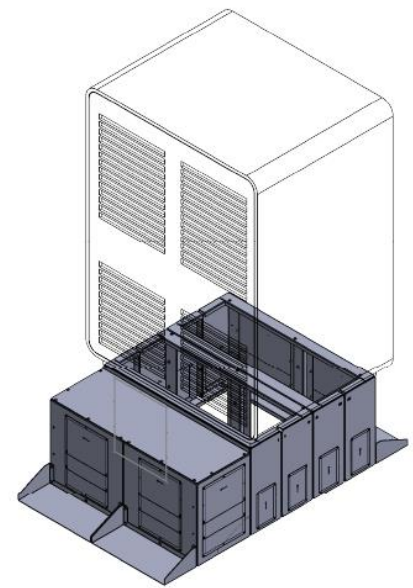
1060-4700-0013-6 - GABLE POS. 4



9200-1000-3190-0 - SCREWS 10,6*23
50 PCS



1060-4700-0020-4 -GROUND SUPPORT
4 PCS

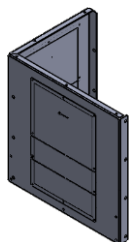


MIN 45Nm
MAX 50Nm

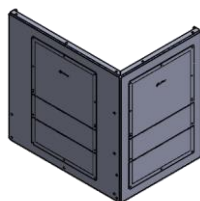
INSTALLATION GUIDE

FOUNDATION ALPITRONIC HYC1000 POWER CABINET WITH INSPECTION HATCH

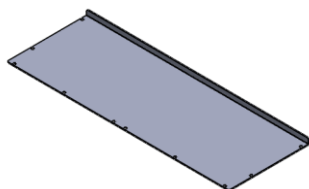
1060-4700-1000-60 - Power Cabinet
1060-4700-1200-70 - Inpection hatch



1060-4700-0008-6 - INSP.GABLE POS. 1



1060-4700-0009-6 - INSP.GABLE POS. 2



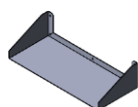
1060-4700-0007-4 - COVER PLATE



9200-1000-3633-0 - SCREW M6*30
10 PCS (WITH WASHERS)



9200-1000-3190-0 - SCREW 10,6*23
20PCS



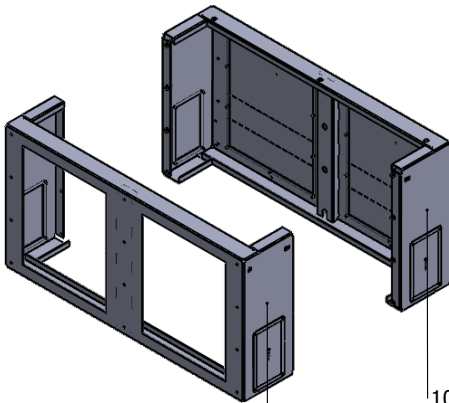
1060-4700-0020-4 - GROUND
SUPPORT
2 PCS

INSTALLATION GUIDE

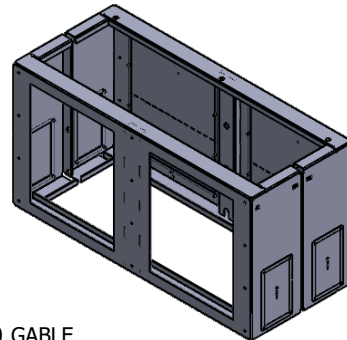
FOUNDATION ALPITRONIC HYC1000 POWER CABINET WITH INSPECTION HATCH

1060-4700-1000-60 - Power Cabinet

1060-4700-1200-70 - Inpection hatch

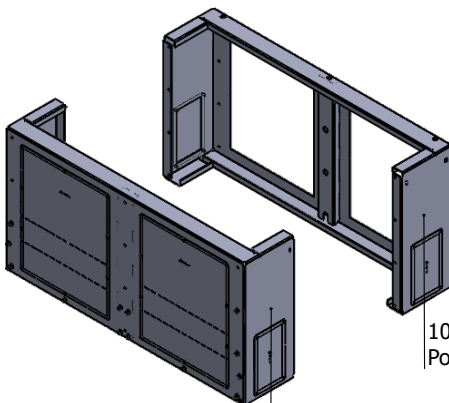
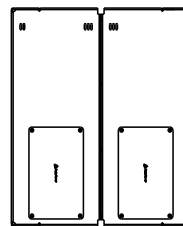


1060-4700-0013 HYC1000 GABLE
Pos.4

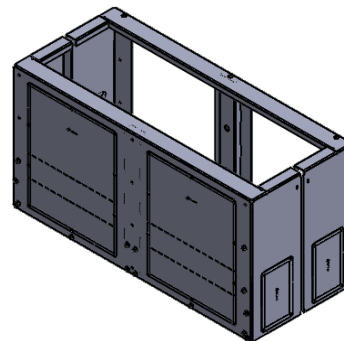


1060-4700-0012 HYC1000 GABLE Pos.3

1060-4700-0012-6 - GABLE POS. 3
 1060-4700-0013-6 - GABLE POS. 4
 4+4 - SCREW 10,6*23

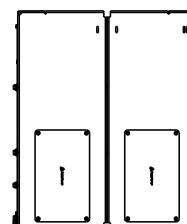


1060-4700-0011 HYC1000 GABLE
Pos.2



1060-4700-0010 HYC1000 GABLE Pos.1 Rev C

1060-4700-0010-6 - GABLE POS. 1
 1060-4700-0011-6 - GABLE POS. 2 4+4
 - SCREW 10,6*23

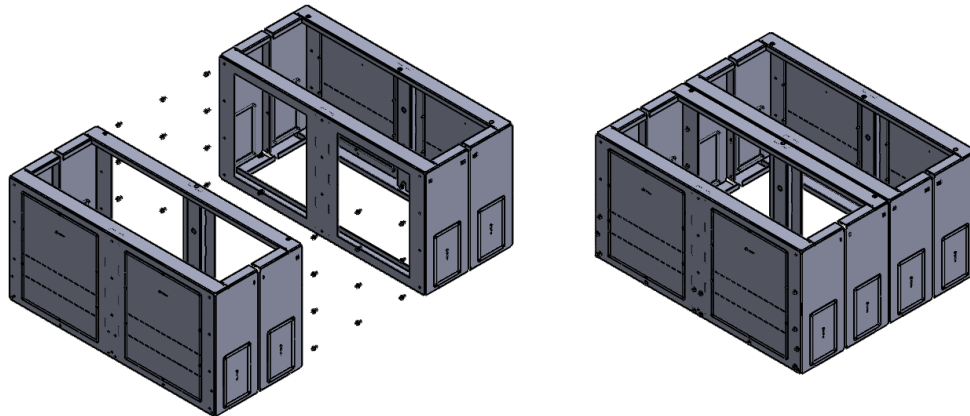


INSTALLATION GUIDE

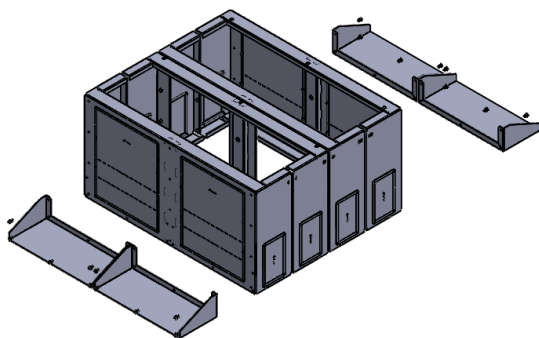
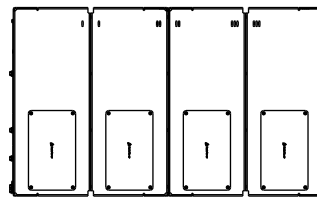
FOUNDATION ALPITRONIC HYC1000 POWER CABINET WITH INSPECTION HATCH

1060-4700-1000-60 - Power Cabinet

1060-4700-1200-70 - Inpection hatch

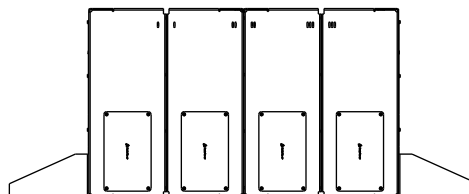


PAIR 1
PAIR 2
4+4+4 - SCREW 10,6*23



2+2 1060-4700-0020-4 - GROUND SUPPORT

5+5+5+5 - SCREW 10,6*23

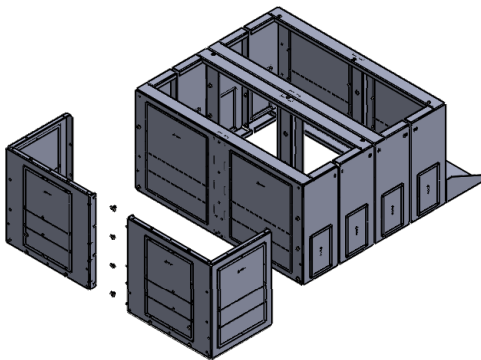
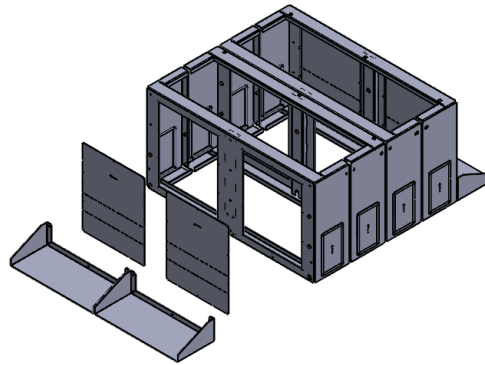
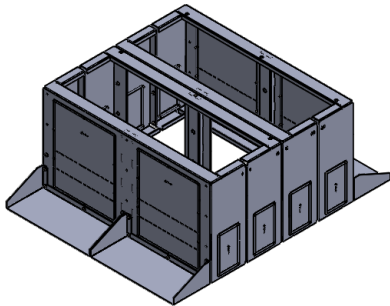


INSTALLATION GUIDE

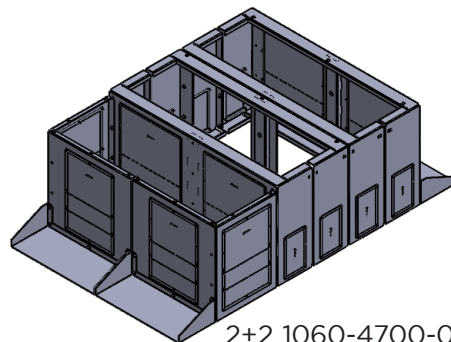
FOUNDATION ALPITRONIC HYC1000 POWER CABINET WITH INSPECTION HATCH

1060-4700-1000-60 - Power Cabinet

1060-4700-1200-70 - Inspection hatch



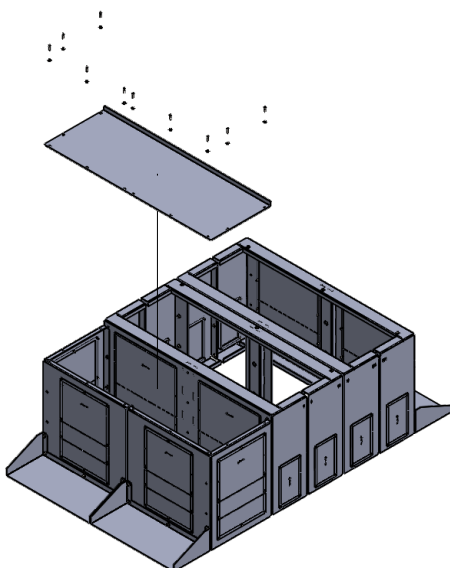
1060-4700-0008-6 - INSP.GABLE POS. 1
1060-4700-0009-6 - INSP.GABLE POS. 2
4 - SCREW 10,6*23



4+4 - SCREW 10,6*23

2+2 1060-4700-0020-4 - GROUND SUPPORT

5+5+5+5 - SCREW 10,6*23



1060-4700-0007-4 - COVER PLATE
9200-1000-3633-0 - SCREW M6*30
10PCS (WITH WASHERS)

