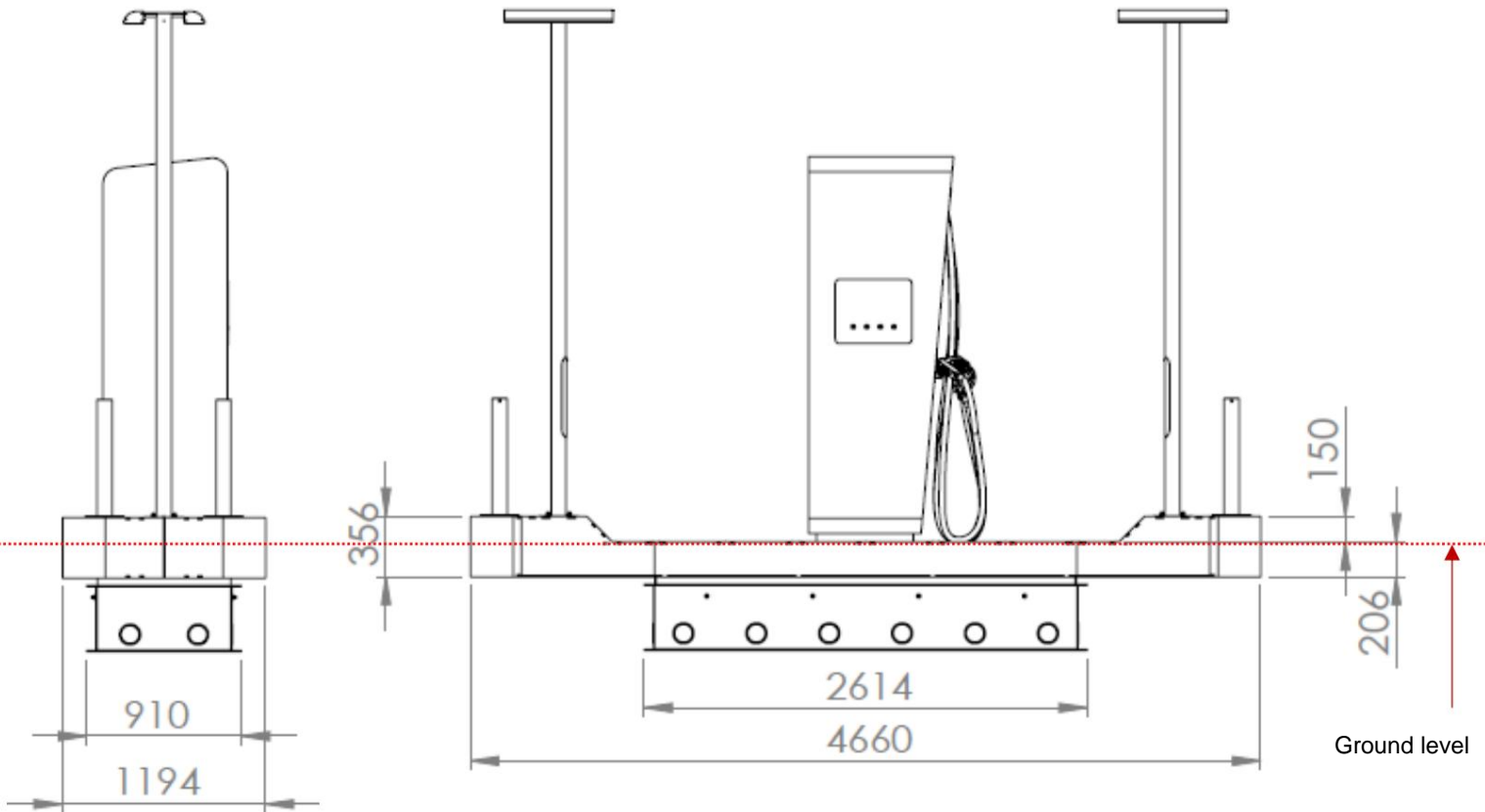
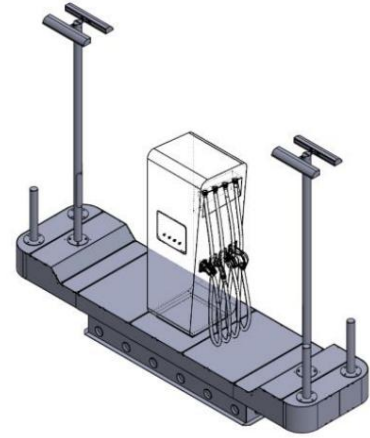


## INSTALLATION INSTRUCTIONS CHARGING ISLAND 4660 WITH ACCESSORIES



## INSTALLATION INSTRUCTIONS

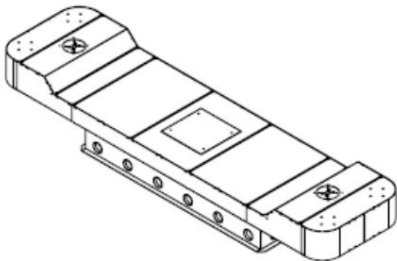
### CHARGING ISLAND 4660 WITH ACCESSORIES

#### COMPONENT(S):

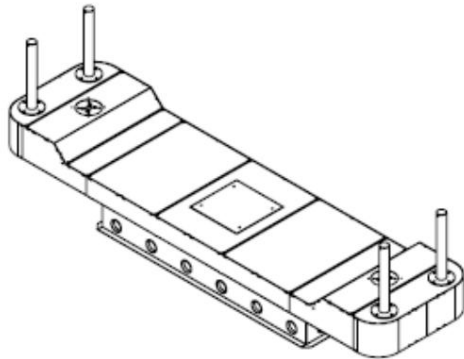
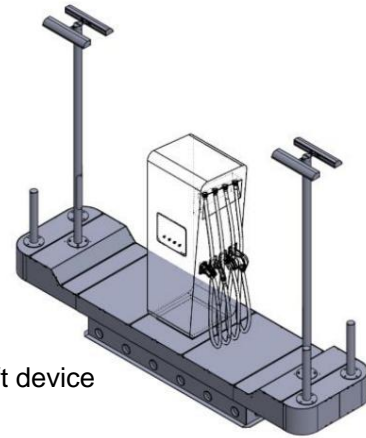
	Quantity	Art. No.	Name
	1	0110-2409-1000-4	HEVCF Charging island 4660 Available G1
	1	0110-2400-1500-4	EVCF Cable drum 2500*800 Galv
	16	31-462570-0	Conical plug 109x113x27
	8	9200-1000-3460-0	Screw M6S M12x40 FZV
	8	9200-1000-1070-0	Washer BRB 13x24x2 FZV
	2	0110-2400-9010-0	Wooden joist 100x100 L=910
	1	0110-2412-2000-5	Lighting pole 3m G2
	1	0110-2410-2050-5	Lighting post Door
	1	0110-2412-2070-2	Strain relief G2
	1	0110-2412-2060-6	Electronics plate Post <i>Bolt kit and screws included</i>
	2	100-600-06xx	Luminaire FL Wide 3M 4000K 640mm 45W <i>Screws, cables, nuts, etc. included</i>
	1	0110-2410-209X-5	FL Wide Console Double G2
	1	0110-2420-2200-5	Bollard H:700 Ø90
	1	0110-2402-9110-6	Bolt kit Bollard Steel



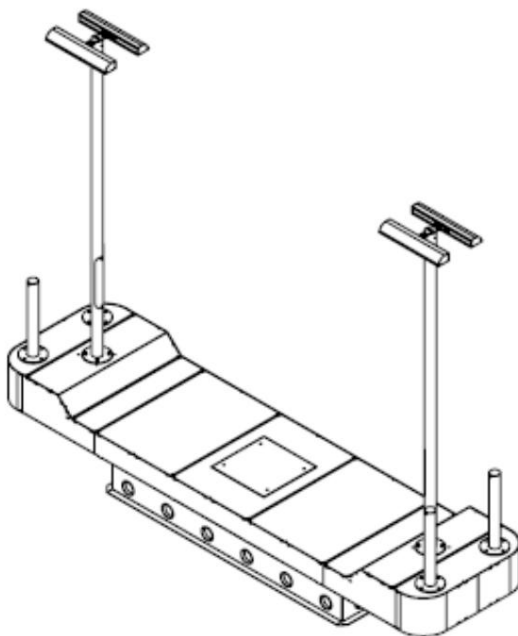
## INSTALLATION INSTRUCTIONS LADDÖ 4660 WITH ACCESSORIES



4. Screw the three cover plates and the anti-theft device into place

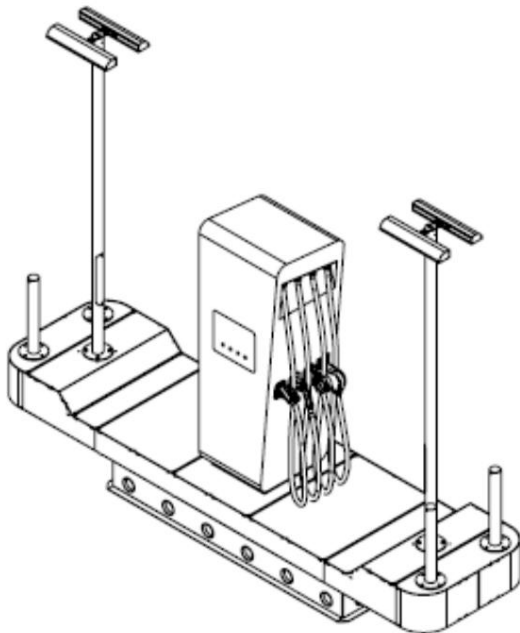
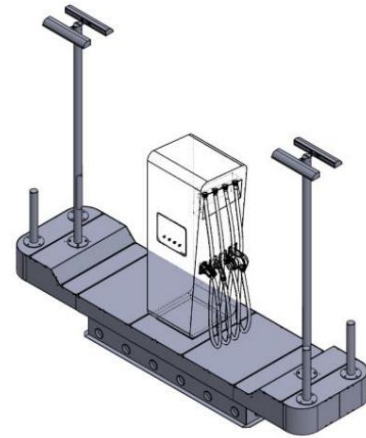


5. Install bollards with plastic screws. Also install gray cover caps.



6. Assemble and install poles and fixtures

## INSTALLATION INSTRUCTIONS CHARGING ISLAND 4660 WITH ACCESSORIES



7. Mount the charger